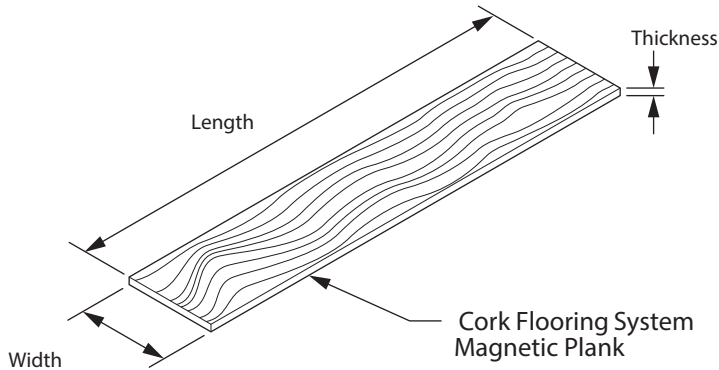
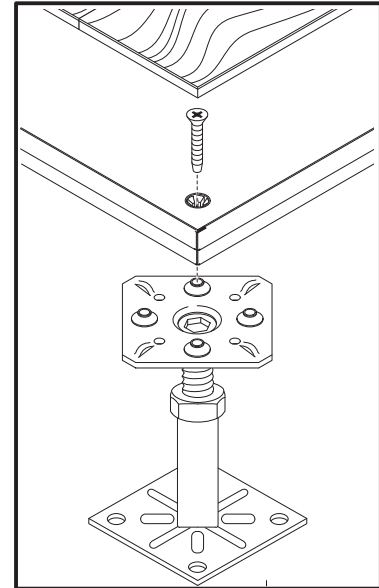
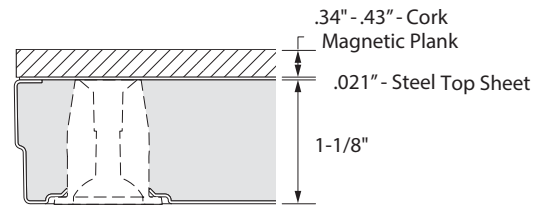


## Cork Plank Dimensions



## Section View - Cork Plank & Steel Topsheet TecCrete



Typical Cork Magnetic Panel

### Specifications:

#### Cork Magnetic Plank

- Cork thickness ranges between .28" - .37" (7mm - 8.5mm)
- Magnet layer thickness .06" (1.5mm)

#### Steel Top Sheet Panel

- Lightweight High – Strength Concrete
- Galvanealed Steel Pan
- Galvanealed Steel Top Sheet
- Panel Size (Nominal): 24" x 24"

### Features

- Finished Floor Height: 3" to 63" Standard Special heights available upon request.
- Overall Pedestal Adjustment:  $\pm 1"$  height (FFH>6").
- Steel top sheet panel should be protected during construction.
- A flat level raised floor is critical to a successful floor system installation.
- Steel top sheet panel to be used with the magnetic plank as a raised access floor system.
- Cork planks should be installed just before furniture move in when all heavy construction is complete.
- Temperature to be maintained at a constant level between 55 and 80 degrees F and Relative Humidity between 25% and 60%.
- Responsibly harvested from sustainable sources.
- 100% PVC free
- The product is Carbon Negative, absorbing more CO<sub>2</sub> than it releases to the atmosphere, from the Harvesting (no trees are cut down) to production, to transport and delivery to North America

Company	Product Name	Thickness	Width(in)	Length (in)	Line & Color
Amorin-Wicanders Wise	Inspire Cork	0.267" (7mm)	7.67" (195mm)	48.29" (1225mm)	Identity Moonlight, Identity Chestnut, Traces Tea, Traces Spice, Traces Jasmin, Shell Marfim, Originals Shell, Originals Harmony, Cement, Fashionable Grafite